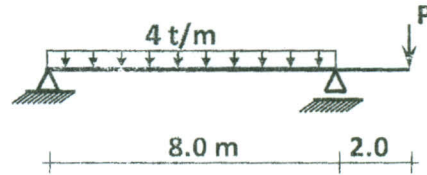




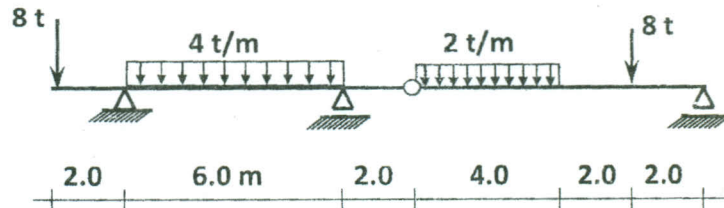
Problem (1)-10 marks

For the shown beam find the magnitude of the force P if the maximum +ve bending moment equals to the maximum -ve moment through the beam and draw the corresponding S.F. and B.M. diagrams.



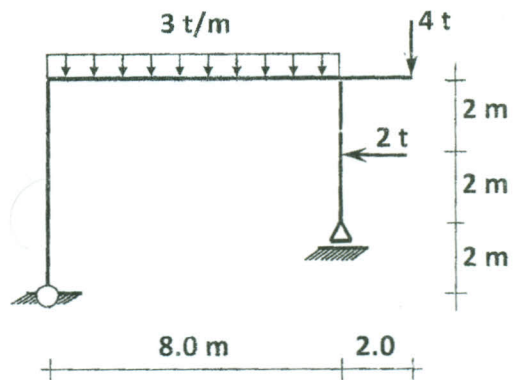
Problem (2)-20 marks

For the shown beam draw S.F. and B.M. diagrams.



Problem (3)-20 marks

For the frame shown in figure find the reactions and draw the N.F., S.F. and B.M. diagrams



مع تمنياتي بالتوفيق

Dr. Eng. SHAABAN SELIM